



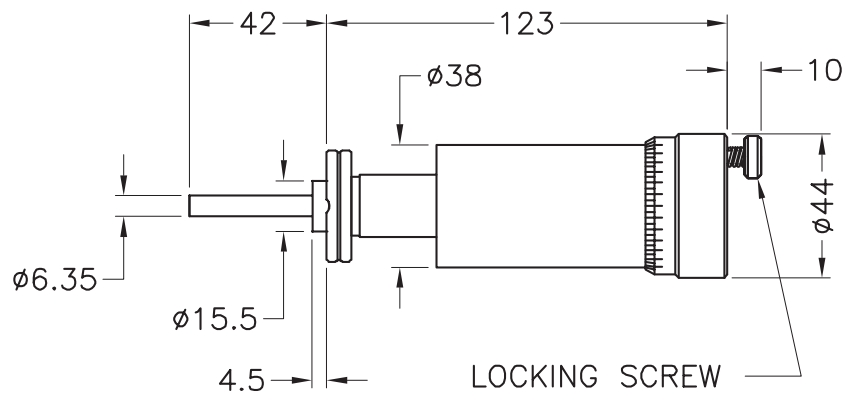
RD94 Primary Rotary Drive

A positional rotary drive with graduated handwheel and excellent torque characteristics.



Product Overview

- Top cap graduated in 5° intervals
- Low angular backlash of $\pm 1^\circ$
- Position lock
- Fully bakeable to 250 °C without dismantling
- Solid 6.35mm shaft
- 42 mm internal shaft length
- Flange options: KF25 34mm and 70mm Conflat
- Torque characteristics: 0.4 Nm @ 10 rpm, 0.08 Nm @ 400 rpm (maximum speed)



RD94 Rotary Drive

Flange OD mm	Torque 10 rpm	Torque 400 rpm	Order Code
34	0.4Nm	0.08Nm	ZRD94
70	0.4Nm	0.08Nm	ZRD942