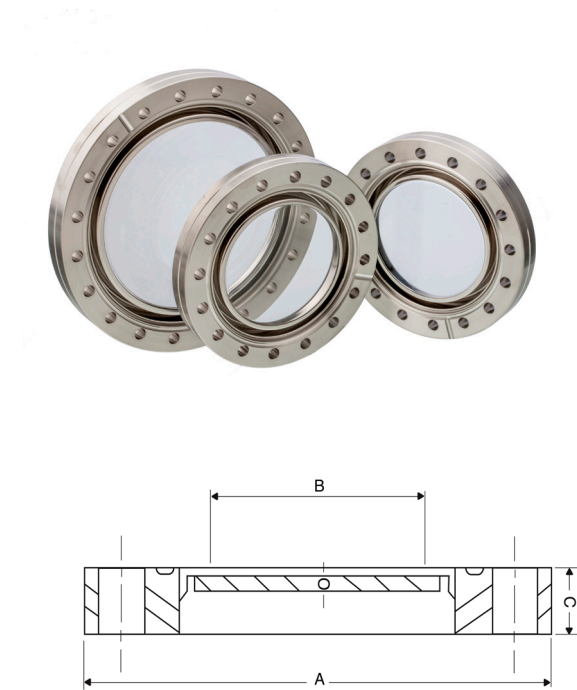


Sapphire Viewport

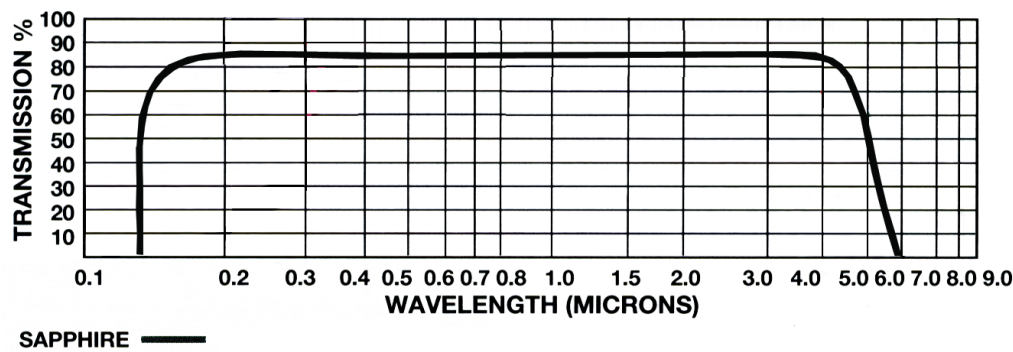
A zero length viewport has a thickness no larger than that of its mounting flange. It provides a wide angle viewing window for your vacuum chamber as there are no tubulation walls to restrict observation. Manufactured using Sapphire, these viewports are used in high temperature high transmission applications.



Product Overview

- HV and UHV compatible
- Maximum Bake Temperature 450°C
- Minimum Temperature minus 20°C
- Maximum Rate of Temperature Change 3°C per minute
- Leak Rate $<1 \times 10^{-10}$ atm-cc/sec (He)
- Pressure Range 1 bar to 1×10^{-11} mbar
- Surface Quality 60/40 scratch/dig
- Flatness $\lambda/4$
- Bond seal type

Transmission Curve



Sapphire Viewports						
DN Type	A mm	B mm	C mm	O mm	Max Bake °C	Order Code
DN19	34	15	12.7	1.5	450	ZVPSA16
DN40	70	32	12.7	1.5	450	ZVPSA38
DN40	70	38	12.7	1.5	450	ZVPSA38W
DN63	114	63	17.7	2	450	ZVPSA64
DN100	152	89	19.9	2.5	450	ZVPSA100
DN150	203	136	22.3	4	450	ZVPSA150