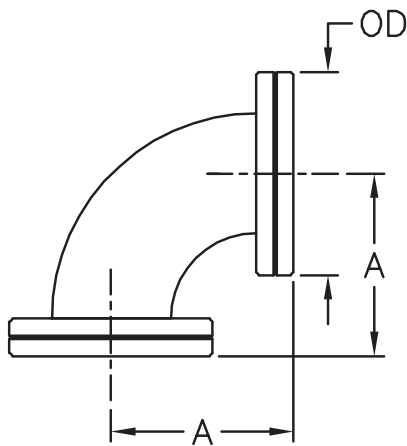


90° Radius Elbows (BE Series)

Conflat flanged 90° Radius elbows.



Product Overview

- Manufactured to ISO standards
- UHV Clean
- HV and UHV compatible
- All 304L stainless steel construction
- All tubulations are fully UHV compatible and bakeable to 450°C
- 90° elbow
- Curved elbows have a higher conductance and fewer internal welds when compared to the mitred versions.
- Either one flange is fixed and the other is rotatable or both are rotatable. The fixed flange can be welded in place with its bolt holes in an inline or straddled orientation.

All VACGEN's components allow quick, easy and repeatable leak free joints and are designed for complete modularity for building simple high vacuum backing or pumping lines.

UHV 90° Radius Elbows (BE Series)							
DN Type	OD		Dimension A	Minimum Bore	Flange Alignment and number	Weight	Order Code
	mm	Inch				mm	
DN19	34	1.33	38	15.7	1 Fixed Inline & 1 Rotatable	0.7	ZBE19RI
DN19	34	1.33	38	15.7	1 Fixed Straddled & 1 Rotatable	0.7	ZBE19RS
DN40	70	2.75	63	33.7	2 Rotatable	0.9	ZBE38R
DN63	114	4.50	105	58.9	2 Rotatable	3.6	ZBE64R
DN100	152	6.00	184	95.7	1 Fixed Straddled & 1 Rotatable	7.0	ZBE10HRS