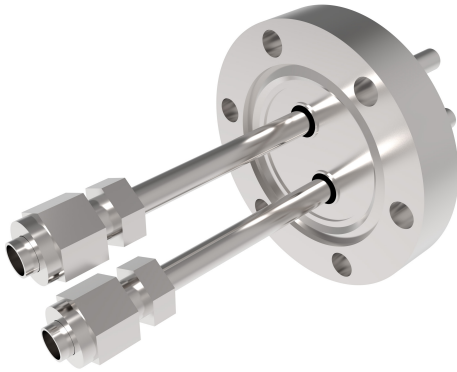


## Liquid Feedthroughs

The LFT series of feedthroughs are used for the transfer of fluids (or gases) through a Conflat flange into, or out of, a vacuum system. The LFT feedthroughs comprise one or two separate stainless steel tubes, each terminating in a UHV leak tight connection on the vacuum side of the LFT.



### Product Overview

- All stainless steel construction
- Special internal UHV connections
- Copper gasket seal
- UHV compatible
- Bakeable to +450°C
- 1 bar to  $10^{-11}$  mbar

All of the LFT's have been designed with a thermal break on the atmospheric side of the tube. This comes into action when using liquid nitrogen as it forms a long heat path between the tube and the mounting flange.

Liquid Feedthrough

DN Number	Flange OD		Number of tubes	Tube OD	Internal Connector	Order code
	mm	Inch		mm		
DN16	34	1.33	1	6.35	Demountable weld nipple	ZLFT97
DN40	70	2.75	2	6.35	Demountable weld nipple	ZLFT27